

MODULES

MPX170S_{V7}

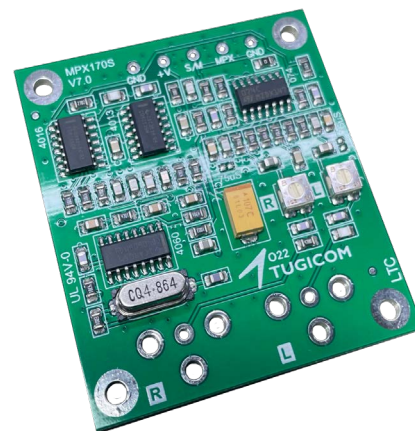
MPX170S

MPX170S stereo encoder provides excellent stereo separation while keeping low price, ease of use, and zero faults.

Just connect 12V-15V, audio input from every CD or computer and connect the MPX output to every MPX ready transmitter.

Makes every mono stereo.

1. Full SMD Design
2. Over 40dB separation - Typical 45dB
3. Operating from every 12-15V regulated voltage
4. Low Audio Distortion, less than 0.5%
5. Pilot Tone 19 KHz +/-3Hz
6. Audio Response 30Hz to 50 KHz +/-0.6dB
7. Pre-emphasis 50uS/75uS
8. Audio Inputs Standard Line Level 0dBu 775mV adjustable
9. No test equipment required for setting up transmitter
10. Built & tested - just plug & play!



For illustration purpose only!

Properties

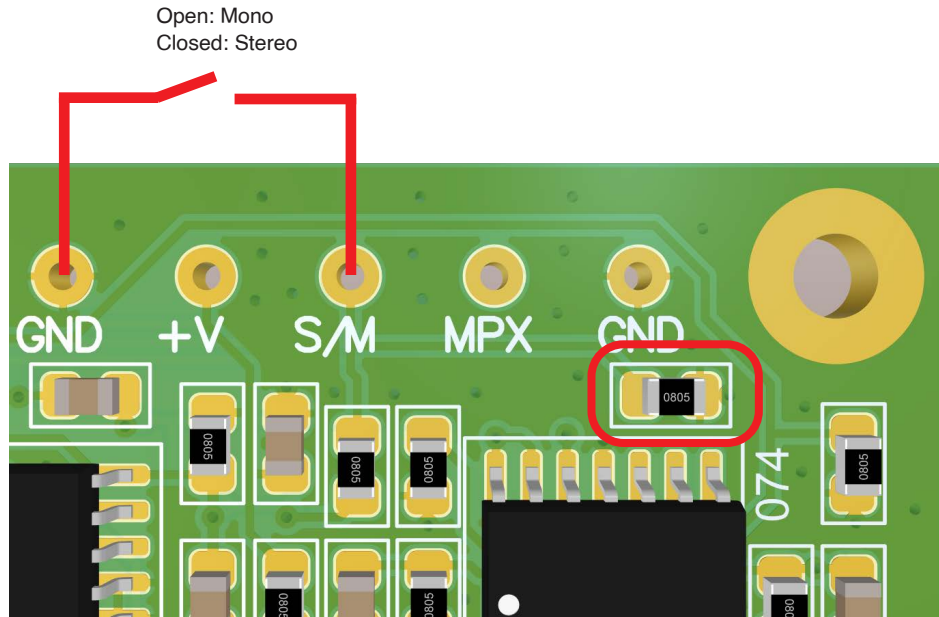
- 50X45 (mm)
- 12 grams
- RCA Ready

Installing and connecting

1. Install the MPX170S in your transmitter, for good connections to ground please use all screws
2. Install the MPX170S far from power supply and RF source.
3. Connect DC regulated (DC+) supply to the VDC hole on the board.
4. Connect DC regulated (DC-) supply to the GND hole on the board.
5. Connect shield wire to the MPX out and the shield to the GND and the other side to any transmitter MPX input.
6. Connect the audio source to the MPX170S RCA Connectors.(Recommended PN: RCJ-016)
7. Cancel the Audio pre-emphasis in your transmitter.
8. Before applying operating voltage check the polarity.
9. Default Pre-emphasis is 50uS, for 75uS short the pads near the 75uS Mark.
10. The MPX170S can be operated in Mono/Stereo modes, explanation in next page

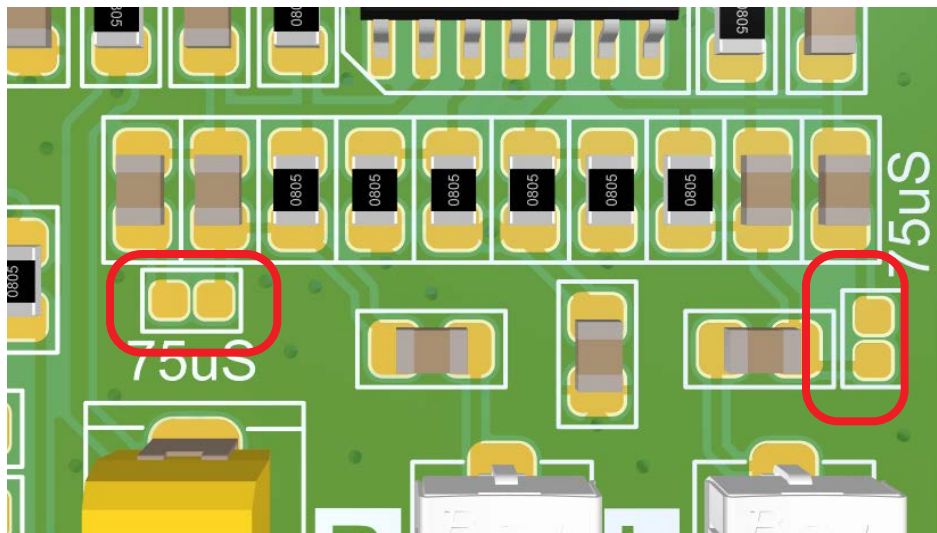
Switching to Mono/Stereo

1. In order to use this option, remove the resistor which marked on the picture.
2. after removing the resistor, you can control the mode using S/M pin.
3. when S/M is open transmission will be in mono.
4. when S/M is connected to GND the mode will be stereo.(shown in picture)



Changing Pre-Emphasis

1. Short the pads near the 75uS markings.(shown in picture)



Thank you for buying our products.
for every enquiry or questions feel free to contact us on Info@tugicom.com

IMPORTANT NOTICE

TUGICOM LTD RESERVE THE RIGHT TO MAKE CHANGES TO THE PRODUCT(S) OR INFORMATION CONTAINED HEREIN WITHOUT NOTICE. TUGICOM LTD ASSUMES NO RESPONSIBILITY FOR ANY ERRORS WHICH MAY APPEAR IN THIS DOCUMENT.

REPRESENTATION OR GUARANTEE OF ANY KIND. TUGICOM EXPRESSLY DISCLAIMS ALL OTHER WARRANTIES, EXPRESS AND/OR IMPLIED INCLUDING BUT NOT LIMITED TO WARRANTIES OF MERCHANTABILITY, AND OF FITNESS FOR A PARTICULAR PURPOSE, USE OR APPLICATION.

No part of this document may be copied or reproduced in any form or by any means without the prior written consent of Tugicom LTD.

Tugicom LTD
Giborey Israel 5
New industrial zone
Netanya
Israel
www.tugicom.com
Mail: info@tugicom.com

MODULES

MPX170S_{V7}